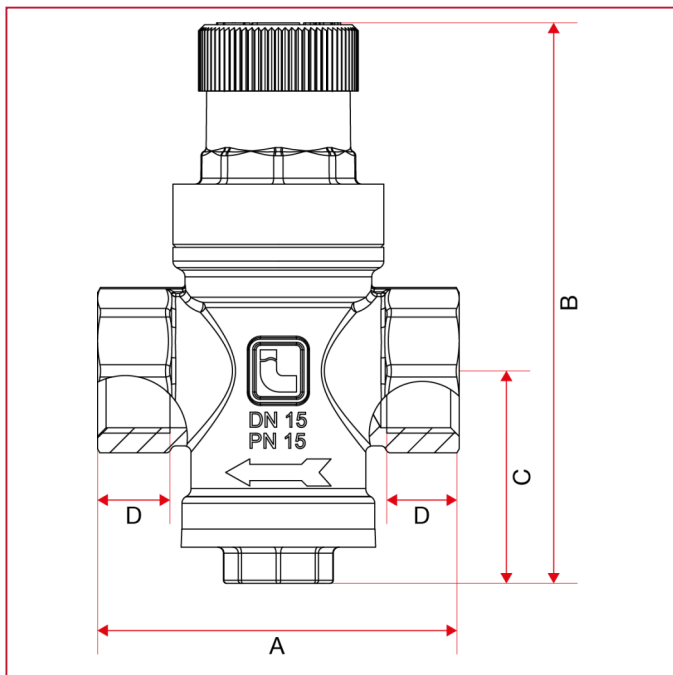




# PRESSURE REDUCING VALVES

## 360 MINIPRESS pressure reducing valve

### OVERALL DIMENSIONS



	1/2"	3/4"
DN	15	20
A	60	60
B	93	93
C	35,25	35,25
D	12	12
Kg/cm <sup>2</sup> bar	15	15
LBS - psi	217,5	217,5